

**RADIUS MAGNETIC STEP
PLATE PLASTIC INSERT HOLDER**

CURVED PS1-PF - 10CC

004-IR24101 48" DIA.

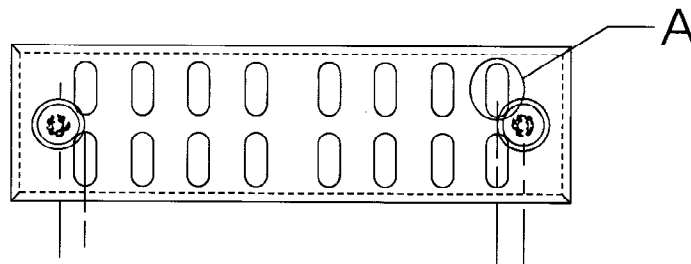
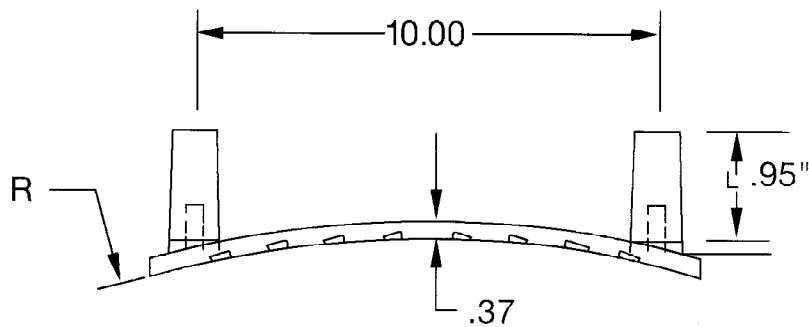
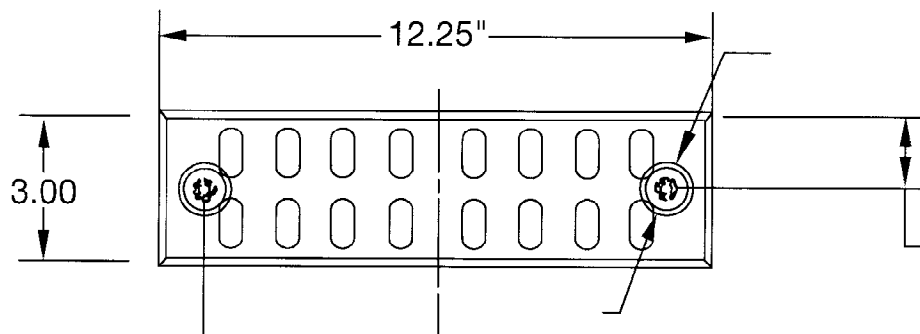
004-IR30101 60" DIA.

004-IR36101 72" DIA.

004-IR42101 84" DIA.

004-IR48101 96" DIA.

004-IR60101 120" DIA.



- USED WITH MA STEPS "PS1 - PF"
- USED TO HOLD MA PLASTIC INSERTS

M . A . I N D U S T R I E S , I N C .

